



GENERAL CATALOGUE

RAILINGS

HANDRAILS

FENCES AND GATES



metal expert



Italians by birth, international by vocation

Metal Expert is an Italian brand and an international leader in the production and marketing of ornamental semi-finished products and modular metal systems for construction and architecture. Our products are of the highest quality, featuring designs in line with the latest living trends, and are exclusively distributed through Organized and Specialized Large-Scale Distribution channels.



We design ideas

The wide range of available models, the flexibility and modularity of the offering, the numerous finishes, and the ease of installation allow for the creation of railings, gates, fences, canopies, stairs, and other structural or decorative elements, both for interiors and exteriors. This can be done quickly and easily while meeting safety and customization requirements.



The customer at the center

Thanks to decades of experience, Metal Expert also offers its customers pre- and post-sales assistance that meets the highest expectations. Our in-house production allows us to adhere to even the tightest delivery schedules while still offering the ability to customize each request according to the client's specifications.



Logistica d'eccellenza

La nostra piattaforma logistica consente rapidità nella fornitura e la possibilità di stoccare grandi quantità di materiale così da favorire la pronta consegna per la realizzazione di nuovi punti vendita.



Safety first

To ensure compliance with specific functional and performance requirements, we conduct a series of tests, measurements, verifications, and inspections in our Test Area. Our products are also qualitatively tested before, during, and after production by expert and specialized personnel. For the past 15 years, we have also relied on various certification bodies that subject our products to specific checks to objectively determine their performance according to current regulations.



Continuous improvement

With a view to continuous improvement in quality, environment, and safety, we have developed an effective management system that complies with the requirements of EN 1090-1:2009+A1:2011; UNI EN ISO 9001:2015; and UNI EN ISO 14001:2015 standards.



RAILINGS

Railings are essential elements in modern architectural structures, offering not only safety but also a contemporary and clean aesthetic. Made from durable and long-lasting materials such as stainless steel combined with glass, our products are designed to withstand weather conditions and daily wear. They can be installed along balconies, stairs, landings, or terraces. Available in various models and finishes, they become a decorative element of the building while providing a practical and safe solution for space protection.



FLOOR AND WALL INSTALLATION

To meet any functional and aesthetic needs, our railings are available in both floor-mounted and wall-mounted versions. In either case, installation is extremely easy, and the final result enhances the architectural style of any building.

- 

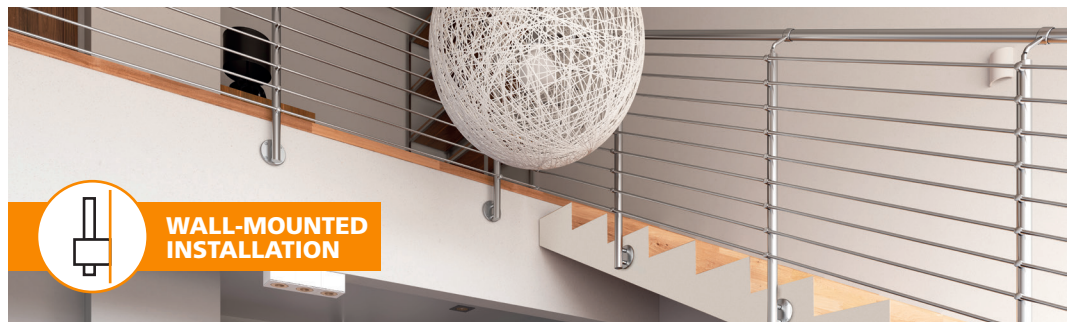
FOR OUTDOOR ENVIRONMENTS
- 

FOR INDOOR ENVIRONMENTS
- 

FOR ATMOSPHERICALLY AGGRESSIVE ENVIRONMENTS
- 

ADDITIONAL PROTECTIVE PANEL
- 

ALSO AVAILABLE IN KITS



CERTIFICATIONS

Our railing kits have been tested according to current regulations in our Test Area and also by accredited certification bodies. The table below ("Load Values for Different Categories of Building Use," Ref. NTC 2018) identifies the maximum horizontal load (HK) for each model based on the environment where the railing is installed:

| CAT. | ENVIRONMENTS | HK [KN/M] | DOMUS DOMUS BRIGHT | DOMUS EXTRA STRONG |
|------|--|-----------|--------------------|--------------------|
| A | RESIDENTIAL ENVIRONMENTS | | | |
| | Areas for domestic and residential activities; this category includes residential premises and related services, hotels (excluding areas subject to high occupancy), and hospital patient rooms. | 1,00 | √ | √ |
| | Common staircases, balconies, walkways | 2,00* | | √ |
| B | OFFICES | | | |
| | Cat. B1 Offices not open to the public | 1,00 | √ | √ |
| | Cat. B2 Offices open to the public | 1,00 | √ | √ |
| | Common staircases, balconies, walkways | 2,00* | | √ |
| C | AREAS PRONE TO HIGH OCCUPANCY | | | |
| | Cat. C1 Areas with tables, such as schools, cafés, restaurants, banquet halls, reading rooms, and reception areas | 1,00 | √ | √ |
| | Cat. C2 Areas with fixed seating, such as churches, theaters, cinemas, conference and waiting rooms, university classrooms, and auditoriums | 2,00* | | √ |
| | Common staircases, balconies, walkways | ≥ 2,00* | | √ |

* For these types of areas where a higher load resistance is required beyond what has been tested and certified by Metal Expert, it is possible to customize the posts to ensure they can handle greater stresses.

Railings with round bars



Our kit models



DOMUS SATIN-FINISHED AISI 304 STAINLESS STEEL

In stainless steel AISI 304, il modello Domus prevede l'utilizzo di 5 tondini in grado di garantire una resistenza ai carichi orizzontali fino a 1 kN per metro lineare. La raffinata satinatura dell'acciaio conferisce a questo modello un'eleganza inedita che ben si abbina agli spazi interni come alle aree esterne.

- 

304 AISI 304 steel
- 

1 kN resistance 1 kN/m
- 

for outdoor environments
- 

for indoor environments
- 

additional protective panel
- 

satin



DOMUS BRIGHT AIS I 316 STAINLESS STEEL POLISHED

Made of AISI 316 stainless steel, the Domus Bright model features 5 round bars that ensure resistance to horizontal loads of up to 1 kN per linear meter. The use of AISI 316 alloy combined with the polished finish makes it particularly suitable for external applications in coastal areas and near swimming pools, where atmospheric conditions are aggressive.

- 

316 AISI 316 steel
- 

for indoor environments
- 

for outdoor environments
- 

additional protective panel
- 

for atmospherically aggressive environments
- 

1 kN resistance 1 kN/m
- 

available in kit form



DOMUS EXTRA STRONG SATIN-FINISHED AISI 304 STAINLESS STEEL

This model, made of satin-finished AISI 304 stainless steel, features 9 round bars and is certified to withstand horizontal loads of up to 2 kN per linear meter. Its reinforced structure makes it ideal for installations in areas with high foot traffic or where increased safety is required.

304 AISI 304 steel

2 kN resistance 2 kN/m

for outdoor environments

satin

for indoor environments



Quick and ready to use
no welding required

Easy
to install

Safe because certified
according to national and European regulations

Modular
in base alle tue esigenze

Installabili ovunque
according to your needs

Instruction manual and video tutorials included



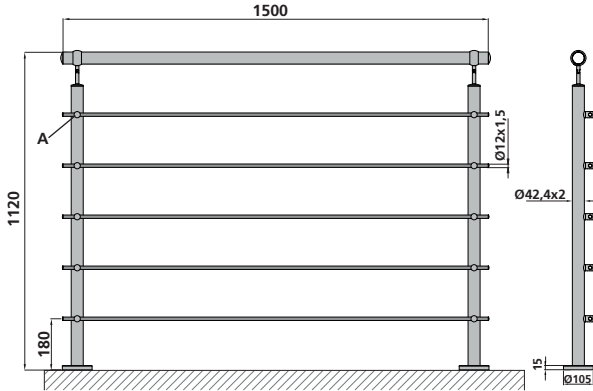
Types of kits

To allow maximum flexibility in the construction of railings, we offer two different types of kits. Modules A1 and B1 are used for the initial part of the railing, while modules A2 and B2 allow you to extend and close it as desired.

DOMUS E DOMUS BRIGHT

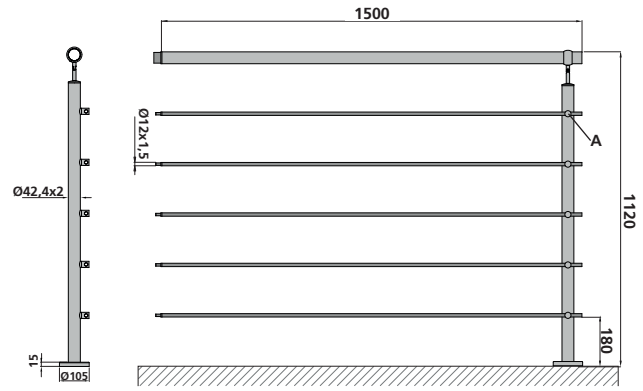
FLOOR-MOUNTED INSTALLATION

MODULE A1 - BASE



| Code | material | AISI | finish | kN* | environment | nr. A |
|-------------|----------|------|------------|-----|---|-------|
| E119710079M | Inox | 304 | Sat.finish | 1 | Indoor-Outdoor | 5 |
| X119710066M | Inox | 316 | Polished | 1 | Indoor-Outdoor Aggressive outdoor environments | 5 |

MODULE A2 - EXTENSION



| Code | material | AISI | finish | kN* | environment | nr. A |
|-------------|----------|------|------------|-----|---|-------|
| E119710080M | Inox | 304 | Sat.finish | 1 | Indoor-Outdoor | 5 |
| X119710067M | Inox | 316 | Polished | 1 | Indoor-Outdoor Aggressive outdoor environments | 5 |

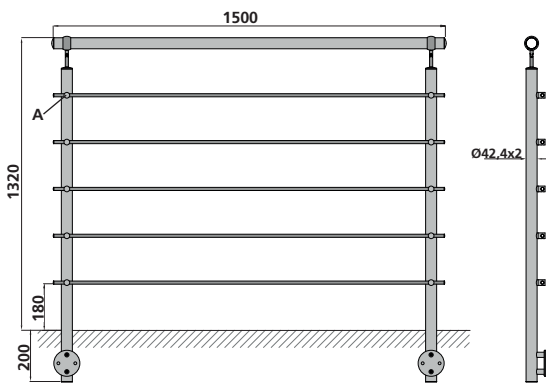
CONFIGURATION TABLE

Number of kits to purchase for each linear meter to be constructed

| | railing length in linear meters | | | | | | | |
|-------------------|---------------------------------|------|------|------|------|------|------|------|
| | 1 mt | 2 mt | 3 mt | 4 mt | 5 mt | 6 mt | 7 mt | 8 mt |
| Qty. Module A1-B1 | 1 | 1 | 1 | 1 | 1 | 1 | 1 | 1 |
| Qty. Module A2-B2 | 0 | 1 | 1 | 2 | 3 | 3 | 4 | 5 |

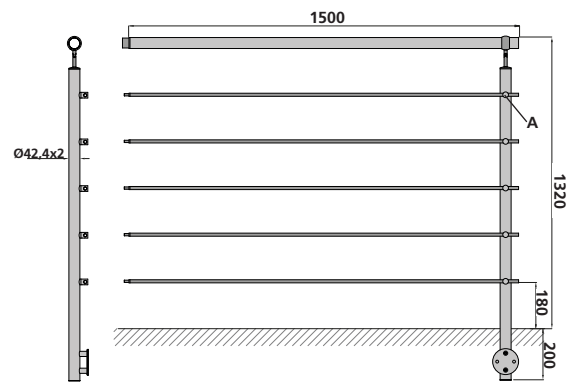
WALL-MOUNTED INSTALLATION

MODULE B1 - BASE



| Code | material | AISI | finish | kN* | environment | nr. A |
|-------------|----------|------|------------|-----|---|-------|
| E119710081M | Inox | 304 | Sat.finish | 1 | Indoor-Outdoor | 5 |
| X119710068M | Inox | 316 | Polished | 1 | Indoor-Outdoor Aggressive outdoor environments | 5 |

MODULE B2 - EXTENSION



| Code | material | AISI | finish | kN* | environment | nr. A |
|-------------|----------|------|------------|-----|---|-------|
| E119710082M | Inox | 304 | Sat.finish | 1 | Indoor-Outdoor | 5 |
| X119710069M | Inox | 316 | Polished | 1 | Indoor-Outdoor Aggressive outdoor environments | 5 |

CONFIGURATION TABLE

Number of kits to purchase for each linear meter to be constructed.

| | railing length in linear meters | | | | | | | |
|-------------------|---------------------------------|------|------|------|------|------|------|------|
| | 1 mt | 2 mt | 3 mt | 4 mt | 5 mt | 6 mt | 7 mt | 8 mt |
| Qty. Module A1-B1 | 1 | 1 | 1 | 1 | 1 | 1 | 1 | 1 |
| Qty. Module A2-B2 | 0 | 1 | 1 | 2 | 3 | 3 | 4 | 5 |

*resistance to horizontal loads expressed in kN/m

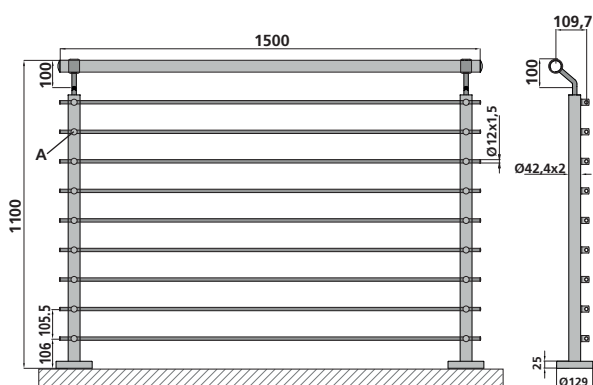


DOMUS EXTRA STRONG

FLOOR INSTALLATION

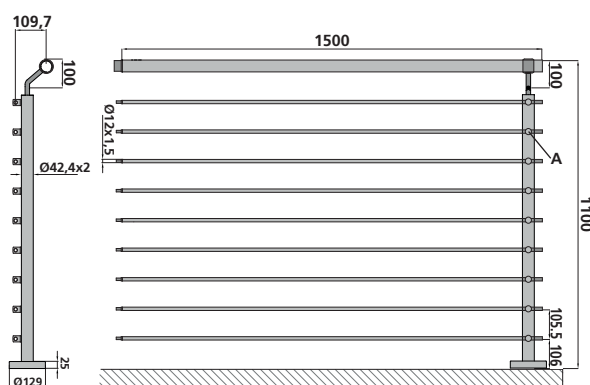


MODULE A1 - BASE



| Code | material | AISI | finish | kN* | environment | nr. A |
|-------------|----------|------|------------|-----|----------------|-------|
| E119710038M | Inox | 304 | Sat.finish | 2 | Indoor-Outdoor | 9 |

MODULE A2 - EXTENSION



| Code | material | AISI | finish | kN* | environment | nr. A |
|-------------|----------|------|------------|-----|----------------|-------|
| E119710039M | Inox | 304 | Sat.finish | 2 | Indoor-Outdoor | 9 |

CONFIGURATION TABLE

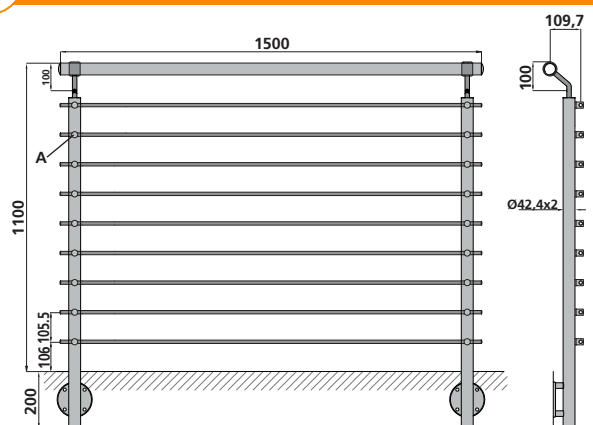
Number of kits to purchase for each linear meter to be constructed

| | lunghezza parapetto in metri lineari | | | | | | | |
|-------------------|--------------------------------------|------|------|------|------|------|------|------|
| | 1 mt | 2 mt | 3 mt | 4 mt | 5 mt | 6 mt | 7 mt | 8 mt |
| Qty. Module A1-B1 | 1 | 1 | 1 | 1 | 1 | 1 | 1 | 1 |
| Qty. Module A2-B2 | 0 | 1 | 1 | 2 | 3 | 3 | 4 | 5 |

INSTALLAZIONE A PARETE

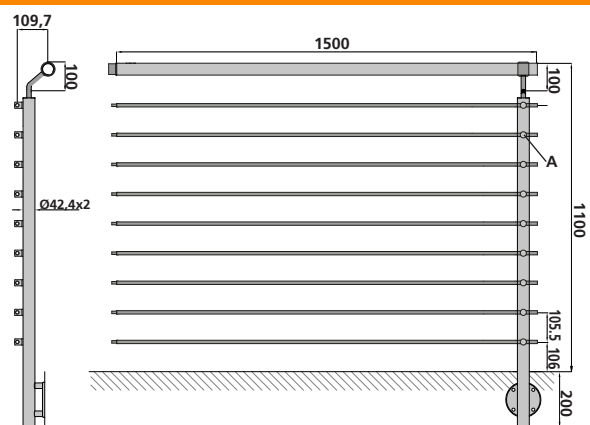


MODULE B1 - BASE



| codice | materiale | AISI | finitura | kN* | ambiente | nr. A |
|-------------|-----------|------|------------|-----|----------------|-------|
| E119710040M | Inox | 304 | Sat.finish | 2 | Indoor-Outdoor | 9 |

MODULE B2 - EXTENSION



| codice | materiale | AISI | finitura | kN* | ambiente | nr. A |
|-------------|-----------|------|------------|-----|----------------|-------|
| E119710041M | Inox | 304 | Sat.finish | 2 | Indoor-Outdoor | 9 |

CONFIGURATION TABLE

Number of kits to purchase for each linear meter to be constructed.

| | railing length in linear meters | | | | | | | |
|-------------------|---------------------------------|------|------|------|------|------|------|------|
| | 1 mt | 2 mt | 3 mt | 4 mt | 5 mt | 6 mt | 7 mt | 8 mt |
| Qty. Module A1-B1 | 1 | 1 | 1 | 1 | 1 | 1 | 1 | 1 |
| Qty. Module A2-B2 | 0 | 1 | 1 | 2 | 3 | 3 | 4 | 5 |

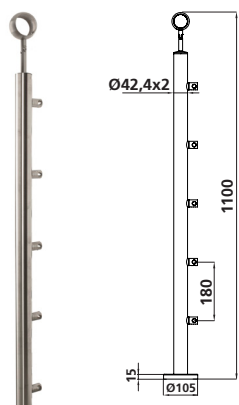
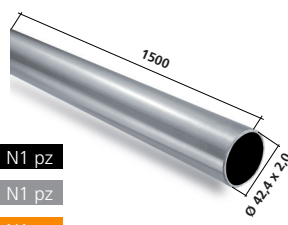
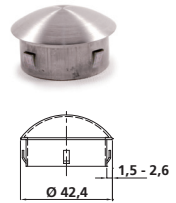
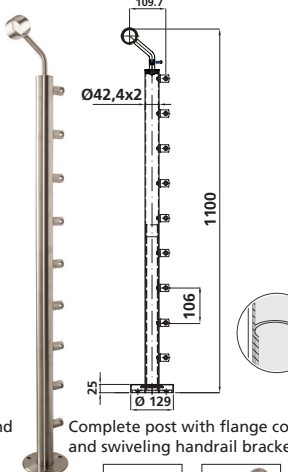
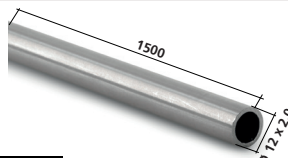

*resistance to horizontal loads expressed in kN/m

Contents of the kits

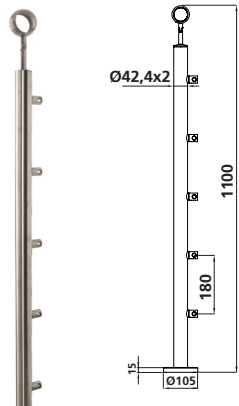
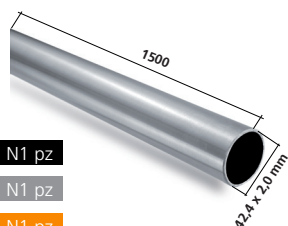
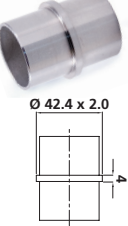
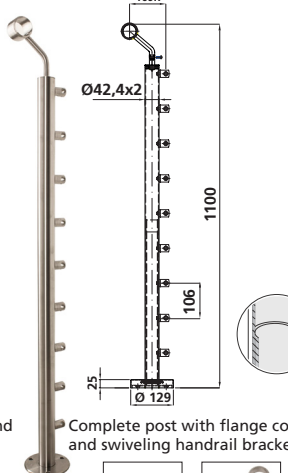
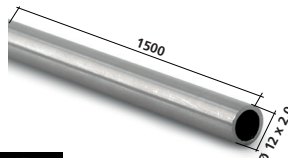
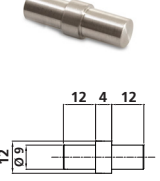


FLOOR INSTALLATION

MODULE A1 BASE


| | | | | | |
|--|-------------|---|-------------|---|-------------|
| DOMUS | E119710079M | DOMUS EXTRA STRONG | E119710038M | DOMUS BRIGHT | X119710066M |
| NEWEL POSTS | | HANDRAIL | | HANDRAIL END CAPS | |
|  <p>Complete post with flange cover and adjustable handrail bracket</p> | |  <p>N1 pz N1 pz N1 pz</p> | |  <p>N2 pz N2 pz N2 pz</p> | |
|  <p>Complete post with flange cover and swiveling handrail bracket</p> | |  <p>N5 pz N9 pz N5 pz</p> | |  <p>N10 pz N18 pz N10 pz</p> | |

MODULO A2 EXTENSION

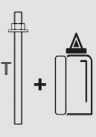
| | | | | | |
|--|-------------|---|-------------|--|-------------|
| DOMUS | E119710080M | DOMUS EXTRA STRONG | E119710039M | DOMUS BRIGHT | X119710067M |
| NEWEL POSTS | | HANDRAIL | | HANDRAIL CONNECTORS | |
|  <p>Complete post with flange cover and adjustable handrail bracket</p> | |  <p>N1 pz N1 pz N1 pz</p> | |  <p>N1 pz N1 pz N1 pz</p> | |
|  <p>Complete post with flange cover and swiveling handrail bracket</p> | |  <p>N5 pz N9 pz N5 pz</p> | |  <p>N5 pz N9 pz N5 pz</p> | |

TO BE PURCHASED SEPARATELY - wall plugs (some examples)

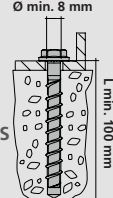
MECHANICAL ANCHORS



CHEMICAL ANCHORS + TWO-COMPONENT EPOXY FOR CONCRETE



MINIMUM ANCHOR DIMENSIONS



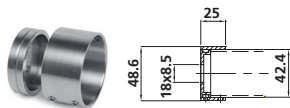
Ø min. 8 mm
L min. 100 mm

| Code | nr. anchor | Code | nr. anchor |
|----------------------------|------------|-------------|------------|
| E119710079M X119710066M | 6 | E119710038M | 6 |
| E119710080M X119710067M | 3 | E119710039M | 3 |



ACCESSORIES FOR DIFFERENT INSTALLATION CONFIGURATIONS (can be purchased separately)

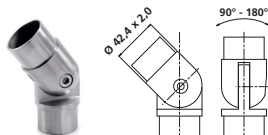
Wall anchorage



Stainless steel AISI 304 satin-finished component for wall mounting a \varnothing 42.4 mm tube. Screws for fastening not included. Suitable for use in mildly aggressive indoor or outdoor environments.

E2070/304M AISI304 satin
X2070 AISI316 polished

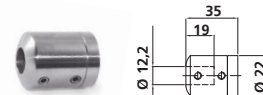
Articulated joint



Adjustable handrail joint for direction changes. \varnothing 42.4 x 2 mm. Adjustable from 90° to 180° on the same plane.

E446M/304 AISI304 satin
X446M AISI316 polished

Wall anchorage



Stainless steel component for wall mounting a round profile with a diameter of 12 mm. Screws for fastening not included. The package contains 5 pieces.

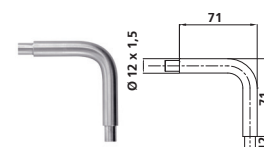
E00651/D22/KT5M AISI303 satin
X40651/D22/KT5M AISI316 polished

Curved junction



Handrail joint. Allows the connection of two segments of \varnothing 42.4 x 2 mm tubing to create a 90° curve.

E450/304 AISI304 satin
X450 AISI316 polished



Rod joint. Allows the connection of two segments of \varnothing 12 x 1.5 mm tubing to create a 90° curve. The package contains 5 pieces.

E00793/KT5M AISI303 satin
X00793316/KT5M AISI316 polished

Infill panel



PMMA protective panel. 1325 x 530 x 3 mm. UV-resistant Plexiglass suitable for outdoor use. Complete with 6 AISI 316 fastenings.

E119710084M

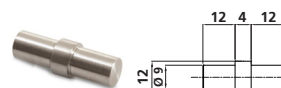
Articulated joint



Tube joint for direction change. \varnothing 12 mm with angle adjustment from 90° to 180°. Package: 5 pieces.

E0170/KT5M AISI303 satin
X0170316/KT5M AISI316 polished

Linear joint



\varnothing 12 mm tube joint. Allows the connection of two \varnothing 12 mm x 1.5 mm tube segments in a straight line. Package: 5 pieces.

E00780S/KT5M AISI303 satin
X00780316S/KT5M AISI316 polished

EXPLORE MORE WITH THE QR CODE

DOMUS E DOMUS BRIGHT



VIDEO



INSTRUCTION
MANUAL

DOMUS EXTRA STRONG



VIDEO



INSTRUCTION
MANUAL

Contents of the kits



WALL INSTALLATION

MODULE A1 BASE

| | | |
|--|---------------------------------------|--|
| DOMUS E119710081M | DOMUS EXTRA STRONG E119710040M | DOMUS BRIGHT X119710068M |
| NEWEL POSTS <p>Post complete adjustable handrail bracket</p> <p>N2 pz</p> <p>N2 pz</p> | | HANDRAIL <p>N1 pz</p> <p>N1 pz</p> <p>N1 pz</p> |
| <p>N2 pz</p> <p>N2 pz</p> <p>N2 pz</p> | | HANDRAIL END CAPS <p>N2 pz</p> |
| <p>N5 pz</p> <p>N9 pz</p> <p>N5 pz</p> | | END CAPS FOR BUFFER ROUND BARS <p>N10 pz</p> <p>N18 pz</p> <p>N10 pz</p> |

MODULE B2 EXTENSION

| | | |
|--|---------------------------------------|---|
| DOMUS E119710082M | DOMUS EXTRA STRONG E119710041M | DOMUS BRIGHT X119710069M |
| NEWEL POSTS <p>Post complete adjustable handrail bracket</p> <p>N1 pz</p> <p>N1 pz</p> | | HANDRAIL <p>N1 pz</p> <p>N1 pz</p> <p>N1 pz</p> |
| <p>N1 pz</p> <p>N1 pz</p> <p>N1 pz</p> | | HANDRAIL CONNECTORS <p>N1 pz</p> |
| <p>N5 pz</p> <p>N9 pz</p> <p>N5 pz</p> | | ROUND BAR CONNECTORS <p>N5 pz</p> <p>N9 pz</p> <p>N5 pz</p> |

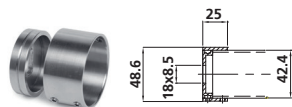
TO BE PURCHASED SEPARATELY - wall plugs (some examples)

| MECHANICAL ANCHORS | CHEMICAL ANCHORS + TWO-COMPONENT EPOXY FOR CONCRETE | MINIMUM ANCHOR DIMENSIONS | Code | nr. anchor | Code | nr. anchor |
|--------------------|---|---------------------------|----------------------------|------------|-------------|------------|
| | | | E119710081M X119710068M | 4 | E119710040M | 8 |
| | | | E119710082M X119710069M | 2 | E119710041M | 4 |



ACCESSORIES FOR DIFFERENT INSTALLATION CONFIGURATIONS (can be purchased separately)

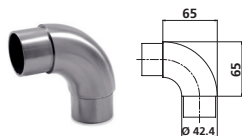
Wall anchorage



Stainless steel AISI 304 satin-finished component for wall mounting a \varnothing 42.4 mm tube. Screws for fastening not included. Suitable for use in mildly aggressive indoor or outdoor environments.

E2070/304M AISI304 satin
X2070 AISI316 polished

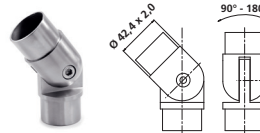
Curved junction



Handrail joint. Allows the connection of two segments of \varnothing 42.4 x 2 mm tubing to create a 90° curve.

E450/304 AISI304 satin
X450 AISI316 polished

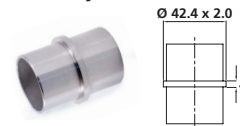
Articulated joint



Adjustable handrail joint for direction changes. \varnothing 42.4 x 2 mm. Adjustable from 90° to 180° on the same plane.

E446M/304 AISI304 satin
X446M AISI316 polished

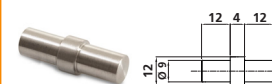
Linear joint



Handrail joint. \varnothing 42.4 x 2 mm. Allows connecting two handrail segments in a straight line.

E455M/304 AISI304 satin
X455M AISI316 polished

Linear joint

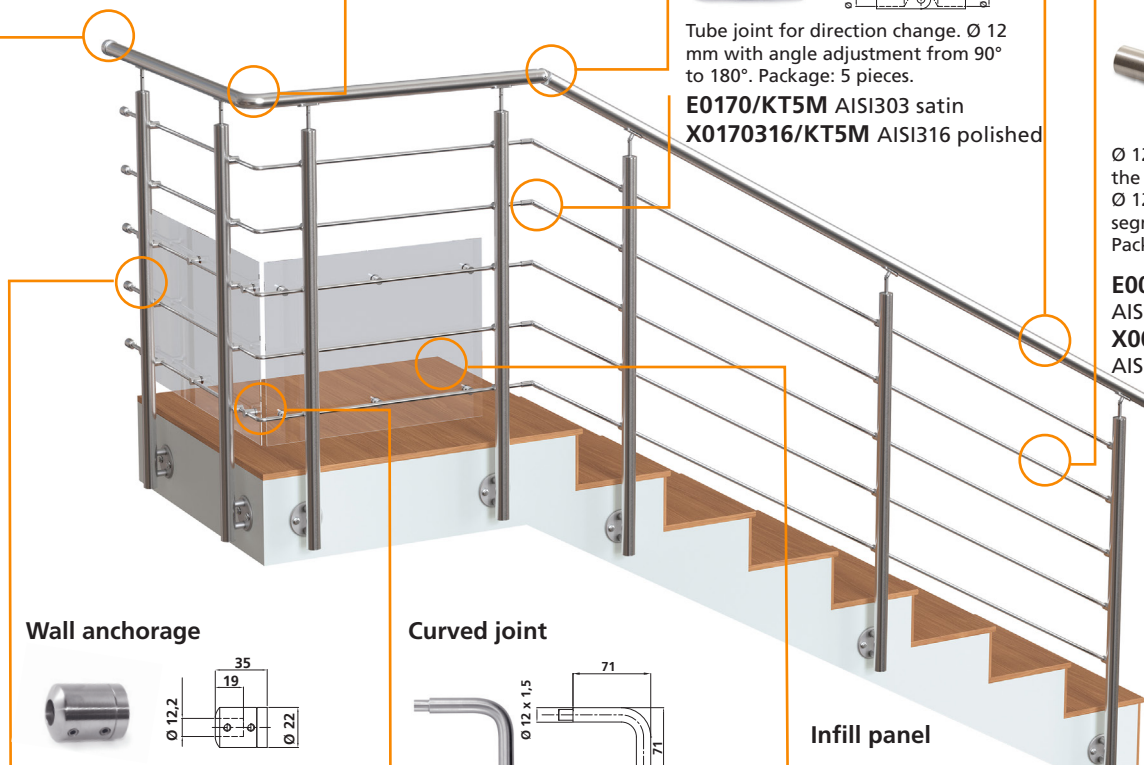


\varnothing 12 mm tube joint. Allows the connection of two \varnothing 12 mm x 1.5 mm tube segments in a straight line. Package: 5 pieces.

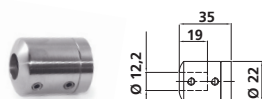
E00780S/KT5M AISI303 satin
X00780316S/KT5M AISI316 polished

Tube joint for direction change. \varnothing 12 mm with angle adjustment from 90° to 180°. Package: 5 pieces.

E0170/KT5M AISI303 satin
X0170316/KT5M AISI316 polished



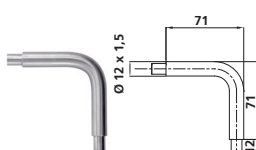
Wall anchorage



Stainless steel component for wall mounting a round profile with a diameter of 12 mm. Screws for fastening not included. The package contains 5 pieces.

E00651/D22/KT5M AISI303 satin
X40651/D22/KT5M AISI316 polished

Curved joint



Rod joint. Allows connecting two tube segments \varnothing 12 x 1.5 mm to form a 90° curve. The package contains 5 pieces.

E00793/KT5M AISI303 satin
X00793316/KT5M AISI316 polished

Infill panel



PMMA protective panel. 1325 x 530 x 3 mm. UV-resistant Plexiglass suitable for outdoor use. Complete with 6 AISI 316 fastenings.

E119710084M

EXPLORE MORE WITH THE QR CODE

DOMUS E DOMUS BRIGHT



VIDEO



INSTRUCTION MANUAL

DOMUS EXTRA STRONG



VIDEO



INSTRUCTION MANUAL

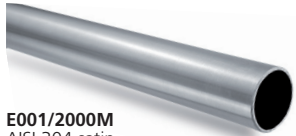
Our components: to create it the way you want.

Didn't find the kit that's right for you?

Want to design your railing differently, perhaps with a different quantity of rods? No problem. Our wide range of components can meet any stylistic and functional need.



Handrail



E001/2000M
AISI 304 satin
Ø 42,4 x 2,0 mm x 2000 mm

X4801/2000M
AISI 316 polished
Ø 42,4 x 2,0 mm x 2000 mm



E02204040M
AISI 304 satin
40 x 40 x 2,0 x 2000 mm

Round bar



E005/2000M
AISI 304 satin
Ø 12 x 2000 mm

XC4851/2000M
AISI 316 polished
Ø 12 x 2000 mm



EV105/2000M
AISI 304 satin
Ø 12 x 1,5 x 2000 mm

Fixed handrail holder



E031/S1M
AISI 304 satin
for handrail
Ø 42,4 x 2,0 mm

X031/S1316M
AISI 316 polished
for handrail
Ø 42,4 x 2,0 mm



E037310
AISI 316 satin
tube 40 x 40 x 2,0 mm

Jointed handrail holder



E030/SM
AISI 304 satin
for handrail
Ø 42,4 x 2,0 mm

X030/S316M
AISI 316 polished
for handrail
Ø 42,4 x 2,0 mm



E037710
AISI 316 satin
tube 40 x 40 x 2,0 mm

Linear joint



E455/304M
AISI 304 satin for
handrail
Ø 42,4 x 2,0 mm

X455M
AISI 316 polished
for handrail
Ø 42,4 x 2,0 mm



E00780S/KT5M
AISI 303 satin
for round bar
Ø 12 x 1,5 mm

X00780316S/KT5M
AISI 316 polished
for handrail
Ø 12 x 1,5 mm



E4760M
AISI 316 satin
pfor handrail
40 x 40 x 2,0 mm

Curved joint



E450/304M
AISI 304 satin for
handrail
Ø 42,4 x 2,0 mm

X450M
AISI 316 polished
for handrail
Ø 42,4 x 2,0 mm



E00793/KT5M
AISI 303 satin
for round bar
Ø 12 x 1,5 mm

X00793316/KT5M
AISI 316 polished
per tondino
Ø 12 x 1,5 mm



E4713/304M
AISI 304 satin
for handrail
40 x 40 x 2,0 mm

E4713M
AISI 316 satin
for handrail
40 x 40 x 2,0 mm

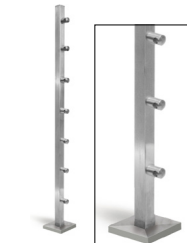
Floor newel post



EM2421205M
AISI 304 satin
tube Ø 42,4 x 2,0 mm
Height 1000 mm



XM4421205M
AISI 316 polished
tube Ø 42,4 x 2,0 mm
Height 1000 mm



EQ4401205
AISI 316 satin
tube 40 x 40 x 2,0 mm
Height 1000 mm

Wall newel post



EL2421205M
AISI 304 satin
tube Ø 42,4 x 2,0 mm
Height 1200 mm



XL4421205M
AISI 316 polished
tube Ø 42,4 x 2,0 mm
Height 1200 mm



EQ8401205
AISI 316 satin
tube 40 x 40 x 2,0 mm
Height 1200 mm

Articulated joint



E446/304M
AISI 304 satin
for handrail
Ø 42,4 x 2,0 mm

X446M
AISI 316 polished
for handrail
Ø 42,4 x 2,0 mm



E0170/KT5M
AISI 303 satin
for round bar
Ø 12 x 1,5 mm

X0170316/KT5M
AISI 316 polished
for round bar
Ø 12 x 1,5 mm



E4743M
AISI 316 satin
for handrail 40 x 40 x 2,0 mm

Terminal



E316/304M
AISI 304 satin
for handrail
Ø 42,4 x 2,0 mm

X316M
AISI 316 polished
for handrail
Ø 42,4 x 2,0 mm



E4146M
AISI 316 satin
for handrail Ø 42,4 x 2,0 mm



E4230/304M
AISI 304 satin
for handrail 40 x 40 x 2,0 mm

Wall anchorage



E2070/304M
AISI 304 satin
for handrail
Ø 42,4 x 2,0 mm

X2070M
AISI 316 polished
for handrail
Ø 42,4 x 2,0 mm



E00651/D22/KT5M
AISI 303 satin
for round bar Ø 12,2 mm

X40651/D22/KT5M
AISI 316 polished
per tondino
Ø 12,2 mm

Infill panel

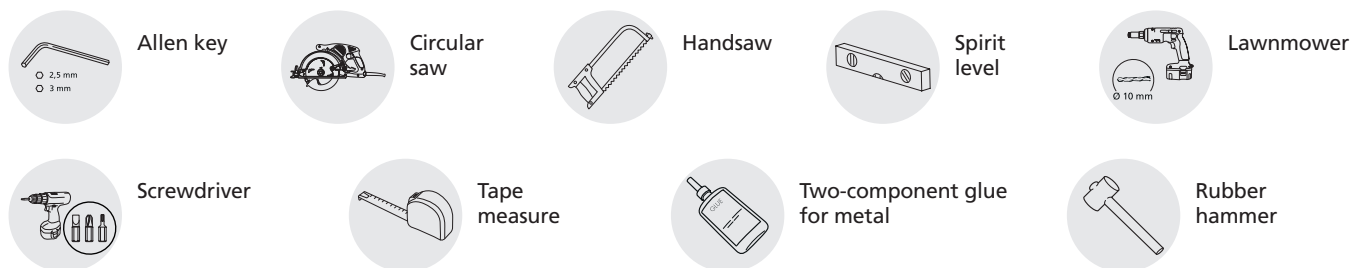


E119710084M
Plexiglass
1300 x 530 x 3 mm

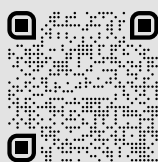
PMMA protection panel.
1325x530x3 mm.
UV-resistant Plexiglass for outdoor use.
Complete with 6 AISI 316 fixings.

Quick and easy assembly

Installing the railing is quick and easy. The kit contains the instruction manual and you need a few working tools that can be easily found in any specialised shop. Via the QR Code below you can also view an intuitive video tutorial.



READ MORE AT
WITH QR CODE



ASSEMBLY VIDEO
PARAPET WITH ROUND BARS

Cleaning and Maintenance



Stainless steel is a material in itself particularly resistant to corrosion. If chosen in the correct composition and finish according to the environment in which it is used, cleaning and maintenance are simple and straightforward. First of all, in order not to impair its stainlessness, contact with iron elements or tools used to work it should be avoided. For daily cleaning, simply wipe the various components with a soft cloth, dampened but free of aggressive solvents or abrasive substances, and then dry the surface to remove limescale stains. For periodic maintenance you can use some specific products for steel such as: deoxidising agent to remove pollutants from the surface, neutralising agent to block their action, passivating agent to recreate the protective film.



Railings with glass



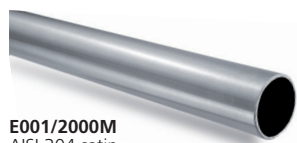
Our components: to make it the way you want it

WITH NEWEL POSTS AND CLAMPS

With square or rounded clamps and square or round posts. Design the railing as you wish, according to the architectural style of your living space. Our wide range of components can meet all aesthetic and functional requirements.



Handrail



E001/2000M
AISI 304 satin
Ø 42,4 x 2,0 mm x 2000 mm

X4801/2000M
AISI 316 polished
Ø 42,4 x 2,0 mm x 2000 mm



E02204040M
AISI 304 satin
40 x 40 x 2,0 x 2000 mm

Curved joint



E450/304M
AISI 304 satin
for handrail
Ø 42,4 x 2,0 mm

X450M
AISI 316 polished
for handrail
Ø 42,4 x 2,0 mm



E4713/304M
AISI 304 satin
for handrail
40 x 40 x 2,0 mm

E4713M
AISI 316 satin
for handrail
40 x 40 x 2,0 mm

Fixed handrail holder



E031/S1M
AISI 304 satin
for handrail
Ø 42,4 x 2,0 mm

X031/S1316M
AISI 316 polished
for handrail
Ø 42,4 x 2,0 mm



E037310
AISI 316 satin
tube 40 x 40 x 2,0 mm

Jointed handrail holder



E030/SM
AISI 304 satin
for handrail
Ø 42,4 x 2,0 mm

X030/S316M
AISI 316 polished
for handrail
Ø 42,4 x 2,0 mm



E037710
AISI 316 satin
tube 40 x 40 x 2,0 mm

Linear joint



E455/304M
AISI 304 satin
for handrail
Ø 42,4 x 2,0 mm

X455M
AISI 316 polished
for handrail
Ø 42,4 x 2,0 mm



E4760M
AISI 316 satin
for handrail
40 x 40 x 2,0 mm

Wall newel post



ED24202PSXM
AISI 304 satin
tube Ø 42,4 x 2,0 mm
Height 1200 mm

ED24202PDXM
AISI 304 satin
tube Ø 42,4 x 2,0 mm
Height 1200 mm



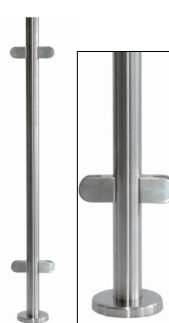
ED24204PM
AISI 304 satin
tube Ø 42,4 x 2,0 mm
Height 1200 mm

Floor newel post



EC24202PM
AISI 304 satin
tube Ø 42,4 x 2,0 mm
Height 1000 mm

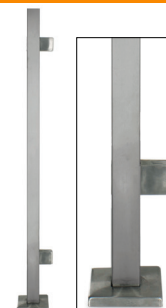
XC44202PM
AISI 316 polished
tube Ø 42,4 x 2,0 mm
Height 1000 mm



EC24204PM
AISI 304 satin
tube Ø 42,4 x 2,0 mm
Height 1000 mm

XC44204PM
AISI 316 polished
tube Ø 42,4 x 2,0 mm
Height 1000 mm

Floor newel post



EQ54002PM
AISI 304 satin
tube 40 x 40 x 2,0 mm
Height 1000 mm



EQ54004PM
AISI 304 satin
tube 40 x 40 x 2,0 mm
Height 1000 mm

Articulated joint



E446/304M
AISI 304 satin
for handrail
Ø 42,4 x 2,0 mm

X446M
AISI 316 polished
for handrail
Ø 42,4 x 2,0 mm



E4743M
AISI 316 satin
for handrail 40 x 40 x 2,0 mm

Terminal



E316/304M
AISI 304 satin
for handrail
Ø 42,4 x 2,0 mm

X316M
AISI 316 polished
for handrail
Ø 42,4 x 2,0 mm



E4146M
AISI 316 satin
for handrail Ø 42,4 x 2,0 mm



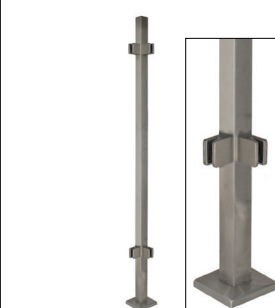
E4230/304M
AISI 304 satin
for handrail 40 x 40 x 2,0 mm



EC24204P90M
AISI 304 satin
tube Ø 42,4 x 2,0 mm
Height 1000 mm



XC44204P90M
AISI 316 polished
tube Ø 42,4 x 2,0 mm
Height 1000 mm



EQ54004P90M
AISI 304 satin
tube 40 x 40 x 2,0 mm
Height 1000 mm

WITH FIXING POINT

Minimal and quick to install, Fixing Point supports meet all design and aesthetic requirements without sacrificing ease of installation. They are ideal for projects where almost total use of glass is envisaged with the least possible use of fixing accessories. They allow a double fixing of the glass in a single body.



Fixing point

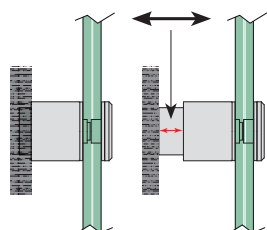
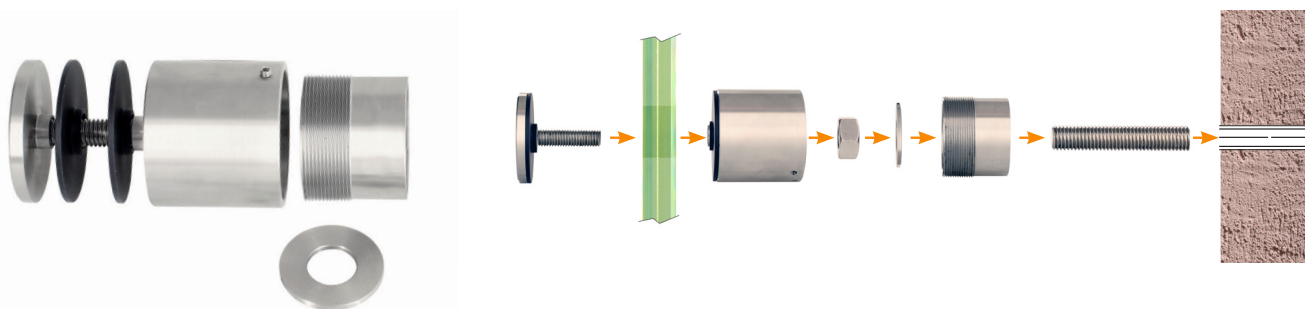


E640080M (adjustable)
AISI 316 satin
for glass thickness
from 16,76 - 21,52 mm

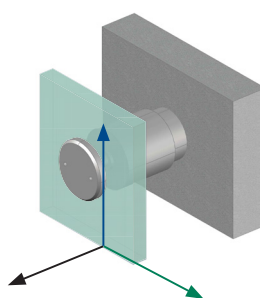


E40940M
AISI 316 satin
for glass thickness
from 8 - 16,76 mm

This innovative glass fixing system allows total control over the adjustment positioning of the panes, thus facilitating installation, even on uneven walls.

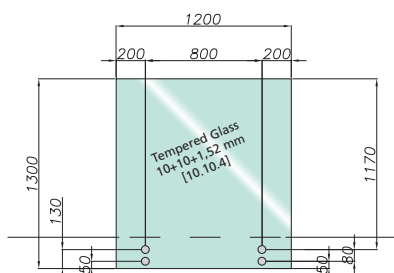


Glass panel depth adjustment of 12 mm possible

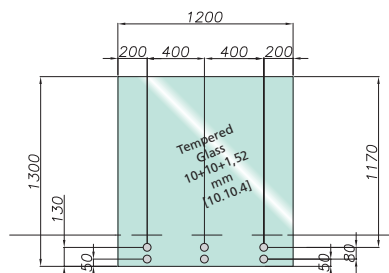


Possibility of 360° adjustment of the glass pane

Tested configurations for 1 kN and 2 kN resistance
Fixing Point Ø 50 mm



| TESTED | |
|-------------------|------------------|
| Design load | 1,0 kN/m |
| Ultimate strength | 1,75 kN/m |



| TESTED | |
|-------------------|------------------|
| Design load | 2 kN/m |
| Ultimate strength | 2,25 kN/m |

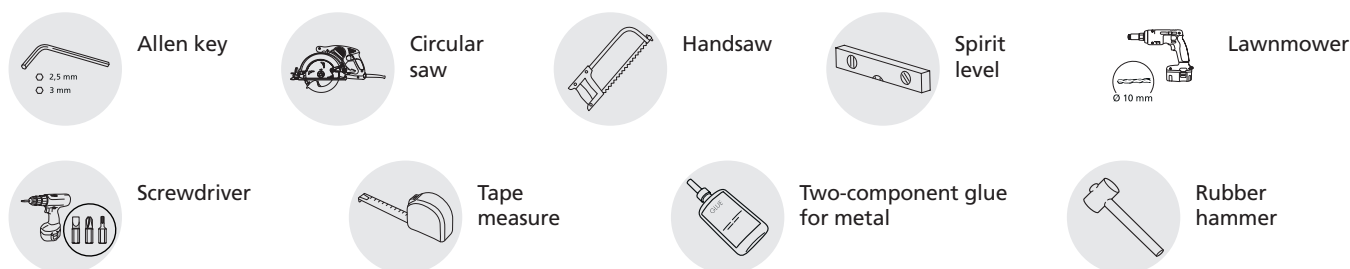
LEARN MORE WITH QR CODE



VIDEO OF EDITING

Quick and easy assembly

Installing the railing is quick and easy. You just need a few working tools that are readily available in any specialist shop. Via the QR code below you can also view an intuitive video tutorial.



READ MORE AT
WITH QR CODE



ASSEMBLY VIDEO
RAILING WITH
GLASS SUPPORTS



ASSEMBLY VIDEO
PARAPET WITH
FIXING POINT

Easy maintenance



For the cleaning and maintenance of steel parts, the same applies as described on page 18 for steel parapets. For glass parts you will need a glass cleaner (readily available in the trade), lukewarm water, a soft cloth and a special scraper to remove any stubborn residue. First remove dust and coarse dirt with a dry cloth and, if necessary, the scraper. Mix the glass cleaner with lukewarm water according to the instructions on the product label and apply the cleaning solution with a sprayer on the surface, then spread it gently with the cloth. Rinse the pane with clean water to remove any residual cleaner. Wipe the glass with a soft, clean cloth to avoid the formation of halos.



Railings with cable



Our components: to make it the way you want it

An elegant and modern solution for constructing railings with uprights with a circular cross-section to which steel ropes are connected, consisting of several overlapping wires wound uniformly in a spiral on a central core. Thanks to the numerous accessories, you can achieve a perfect combination of safety and lightness.




Handrail



E001/2000M
AISI 304 satin
Ø 42,4 x 2,0 mm x 2000 mm


X4801/2000M
AISI 316 polished
Ø 42,4 x 2,0 mm x 2000 mm

Cable



E004010009M
AISI 316 satin
rope consisting of 7 strands
Ø 5 mm

10 mt




Fixed handrail holder



E031/S1M
AISI 304 satin
for handrail
Ø 42,4 x 2,0 mm

Cable terminals



E119710089M
AISI 316 satin
Elements for fastening a section
of rope between two uprights.
Pack of 5 pieces.

Linear joint



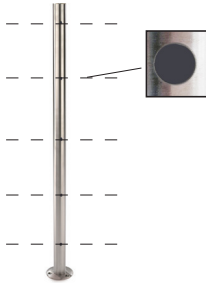
E455/304M
AISI 304 satin
for handrail
Ø 42,4 x 2,0 mm

Curved joint



E450/304M
AISI 304 polished
for handrail
Ø 42,4 x 2,0 mm

Floor newel post



E061100049M
AISI 304 satin
for handrail
Ø 42,4 x 2,0 mm
5 through holes Ø 8,2 mm

Tie rods



E119710090M
AISI 316 satin
Elements for tensioning a section
of rope secured to two posts.
Pack of 5 pieces.

Terminal



E316/304M
AISI 304 satin
for handrail
Ø 42,4 x 2,0 mm



E4146M
AISI 316 satin
for handrail Ø 42,4 x 2,0 mm

Wall anchorage



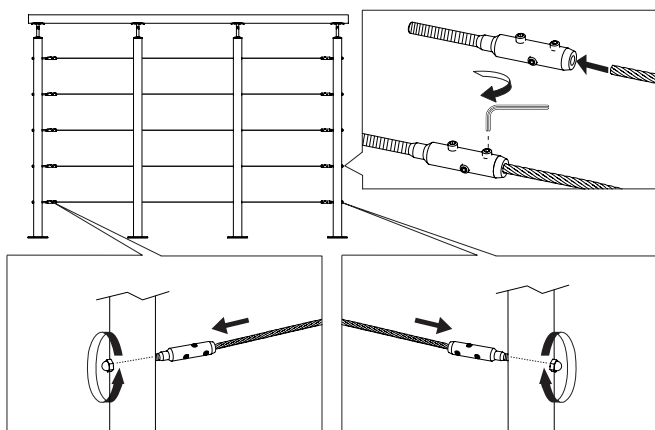
E2070/304M
AISI 304 satin
for handrail
Ø 42,4 x 2,0 mm

Articulated joint

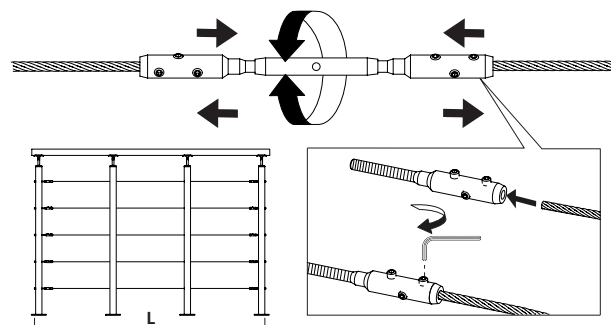


E446/304M
AISI 304 satin
for handrail
Ø 42,4 x 2,0 mm

TERMINAL SET ASSEMBLY E119710089M



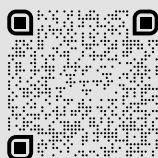
TIE ROD SET ASSEMBLY E119710090M



It is recommended to use the set of rope rods
in sections longer than 5 metres

| L | 0 - 5 mt | 5 - 10 mt | 10 - 15 mt | 15 - 20 mt |
|-------|----------|-----------|------------|------------|
| # SET | 0 | 1 | 2 | 3 |

LEARN MORE WITH QR CODE



VIDEO
OF EDITING



HANDRAILS

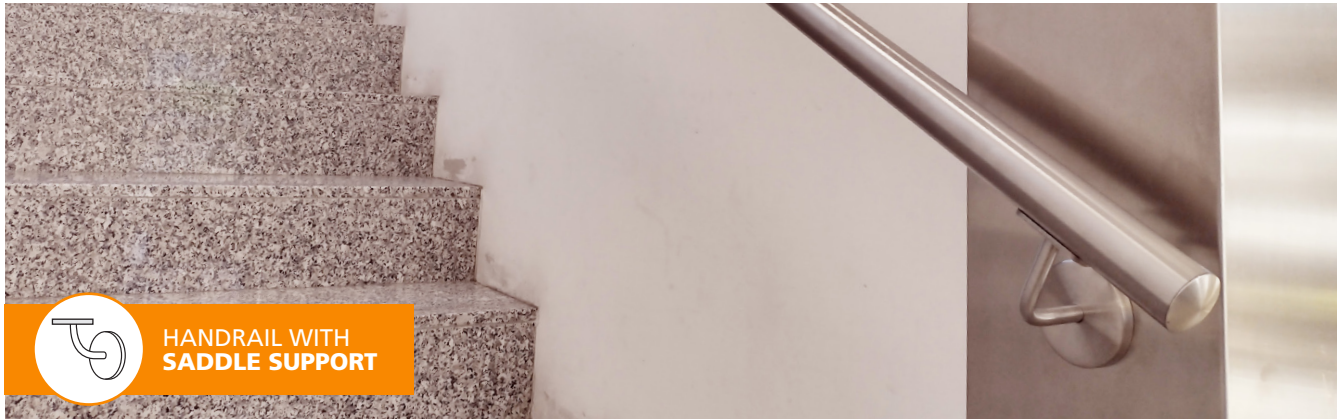
Handrails are a very important element within buildings. Mounted along walls or on the parapets of stairways and corridors, they provide safe and practical support for people as they pass through. Available in various shapes, materials and colours, our handrails contribute to the aesthetics of spaces, integrating harmoniously with the surrounding architectural design and adding a touch of personality to rooms.



Our kit models

ROUND

Rounded shapes for this steel or iron model available in three different finishes and five different colours. It can be chosen in the version equipped with a handrail with saddle support or equipped with a handrail with ring support, which slides on the tube and can therefore be positioned anywhere on the handrail.



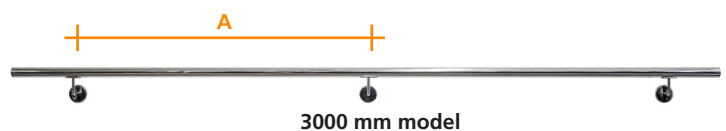
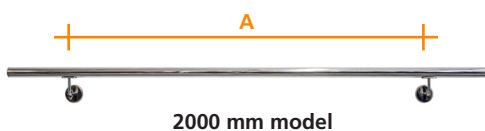
AVAILABLE IN FINISHES:

- SATIN STAINLESS STEEL
- POLISHED STAINLESS STEEL
- PAINTED

IN THE FOLLOWING COLOURS:



IN THE FOLLOWING LENGTHS:





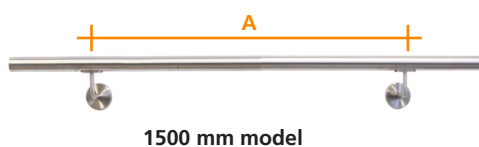
AVAILABLE IN FINISHES

- POLISHED STAINLESS STEEL
- PAINTED

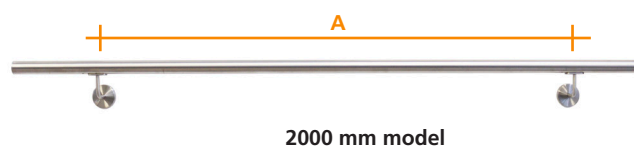
IN THE FOLLOWING COLOURS:



IN THE FOLLOWING LENGTHS:



1500 mm model



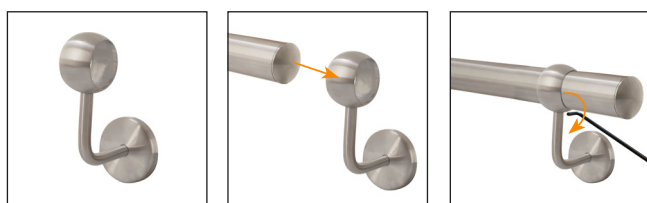
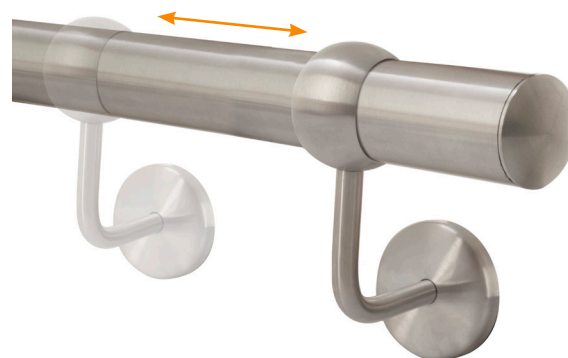
2000 mm model



NO NEED TO DRILL THE HANDRAIL

If you have ever found yourself in the situation of wanting to install a handrail holder but have been stopped by the fear of damaging the tube with mounting holes, know that you are not alone. Fortunately, there are alternative solutions that allow you to securely attach the handrail support without the need to drill holes in the tube.

The handrail holder can be fixed at the desired location without drilling the tube by means of the Allen screw.





HANDRAIL WITH SADDLE SUPPORT



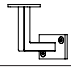

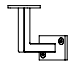

HANDRAIL WITH RING SUPPORT FOR CUSTOMISED POSITIONING

| | code | material | finishing | colour | handrail support | ø tube | length | A | environment |
|---|------------|--------------------------|--------------|--------------------------|------------------|-----------------|---------|---------|-------------|
| STAINLESS STEEL | E090M | stainless steel AISI 304 | satin | steel | | Ø 42,4 x 2,0 mm | 2000 mm | 1500 mm | |
| | E091M | stainless steel AISI 304 | satin | steel | | Ø 42,4 x 2,0 mm | 3000 mm | 1250 mm | |
| | E090316M | stainless steel AISI 316 | satin | steel | | Ø 42,4 x 2,0 mm | 2000 mm | 1500 mm | |
| | E091316M | stainless steel AISI 316 | satin | steel | | Ø 42,4 x 2,0 mm | 3000 mm | 1250 mm | |
| | X090M | stainless steel AISI 316 | polished | steel | | Ø 42,4 x 2,0 mm | 2000 mm | 1500 mm | |
| | X091M | stainless steel AISI 316 | polished | steel | | Ø 42,4 x 2,0 mm | 3000 mm | 1250 mm | |
| | E0930M | stainless steel AISI 304 | satin | steel | | Ø 42,4 x 2,0 mm | 2000 mm | 1500 mm | |
| | E0931M | stainless steel AISI 304 | satin | steel | | Ø 42,4 x 2,0 mm | 3000 mm | 1250 mm | |
| | E0930316M | stainless steel AISI 316 | satin | steel | | Ø 42,4 x 2,0 mm | 2000 mm | 1500 mm | |
| | E0931316M | stainless steel AISI 316 | satin | steel | | Ø 42,4 x 2,0 mm | 3000 mm | 1250 mm | |
| STAINLESS STEEL AND PAINTED GALVANISED IRON | E0991M | stainless steel AISI 304 | satin | steel | | Ø 42,4 x 2,0 mm | 1500 mm | 1100 mm | |
| | E0990M | iron galvanised | painted matt | anthracite grey ral 7021 | | Ø 42,4 x 2,0 mm | 1500 mm | 1100 mm | |
| | E0903M | iron galvanised | painted matt | anthracite grey ral 7021 | | Ø 42,4 x 2,0 mm | 2000 mm | 1500 mm | |
| | E09033000M | iron galvanised | painted matt | anthracite grey ral 7021 | | Ø 42,4 x 2,0 mm | 3000 mm | 1250 mm | |
| | E0904M | iron galvanised | painted matt | rust clear | | Ø 42,4 x 2,0 mm | 2000 mm | 1500 mm | |
| | E09043000M | iron galvanised | painted matt | rust clear | | Ø 42,4 x 2,0 mm | 3000 mm | 1250 mm | |
| | E0922M | iron galvanised | painted matt | light grey ral 7036 | | Ø 42,4 x 2,0 mm | 2000 mm | 1500 mm | |
| | E0923M | iron galvanised | painted matt | brown ral 8019 | | Ø 42,4 x 2,0 mm | 2000 mm | 1500 mm | |

SQUARE

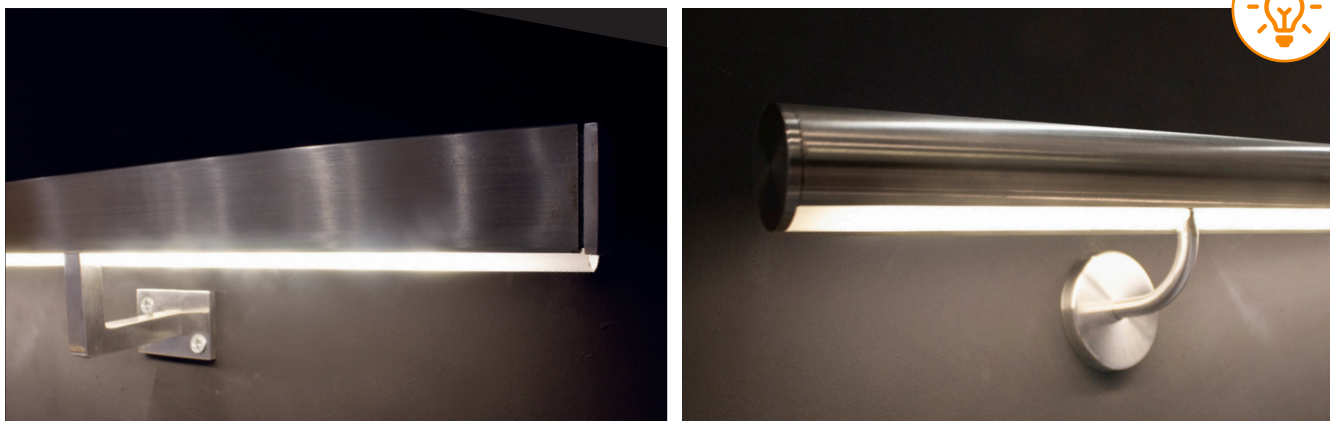
Square corners and strong lines for this steel model, which is available in a version equipped with a saddle holder.



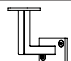



| 2000 mm model | | | | 3000 mm model | | | | |
|---------------|-----------------------------|-----------|--------|---|------------------|---------|---------|---|
| code | material | finishing | colour | handrail support | ø tube | length | A | environment |
| E095M | Stainless steel AISI 304 | satin | steel |  | 40 x 40 x 2,0 mm | 2000 mm | 1500 mm |  |
| E096M | Stainless steel AISI 304 | satin | steel |  | 40 x 40 x 2,0 mm | 3000 mm | 1250 mm |  |

LUMEN - LED*

Two different versions: round or square but both with integrated LED lighting. A practical solution that discreetly illuminates the space in which it is installed, offering greater safety in use.



| 2000 mm model | | | | 2000 mm model | | | | |
|---------------|-----------------------------|-----------|--------|---|------------------|---------|---------|---|
| code | material | finishing | colour | handrail support | ø tube | length | A | environment |
| E119710013M | Stainless steel AISI 316 | satin | steel |  | 40 x 40 x 2,0 mm | 2000 mm | 1500 mm |  |
| E119710014M | Stainless steel AISI 316 | satin | steel |  | 40 x 40 x 2,0 mm | 2000 mm | 1500 mm |  |

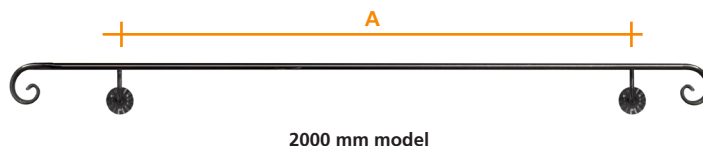
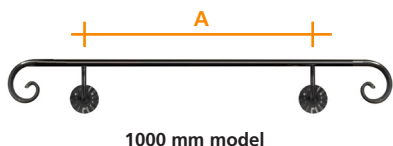
*LED system with ballast included

FABER - FORGED IRON

Forged iron handrails are more than just supports to lean on. They are true works of art, capable of enhancing the environments in which they are placed with their elegance and solidity. The sinuous curves, weaves and decorations give the handrail a sense of movement and dynamism, while its iron structure conveys a feeling of reliability and durability.

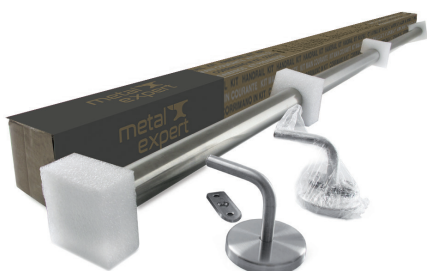


AVAILABLE IN THE FOLLOWING COLOURS:



| code | material | finishing | colour | section | length | A | environment |
|----------------|----------|------------|------------|------------|---------|---------|-------------|
| F119710105M | iron | raw | - | 41 x 11 mm | 1000 mm | 600 mm | |
| V119710105/GRM | iron | painted | ral 7036 | 41 x 11 mm | 1000 mm | 600 mm | |
| V119710105/MM | iron | painted | ral 7021 | 41 x 11 mm | 1000 mm | 600 mm | |
| V119710105/MSM | iron | painted | ral 8019 | 41 x 11 mm | 1000 mm | 600 mm | |
| V119710105/RM | iron | painted | light rust | 41 x 11 mm | 1000 mm | 600 mm | |
| F119710104M | iron | raw | - | 41 x 11 mm | 2000 mm | 1500 mm | |
| V119710104/GRM | iron | painted | ral 7036 | 41 x 11 mm | 2000 mm | 1500 mm | |
| V119710104/MM | iron | painted | ral 7021 | 41 x 11 mm | 2000 mm | 1500 mm | |
| V119710104/MSM | iron | painted | ral 8019 | 41 x 11 mm | 2000 mm | 1500 mm | |
| V119710104/RM | iron | verniciato | light rust | 41 x 11 mm | 2000 mm | 1500 mm | |

Contenuto del kit



Dedicated displays available on request

| ROUND | | | |
|----------------------------|-------------------------|-------------------------|-------------------------|
| description | no. of pieces L 1500 mm | no. of pieces L 2000 mm | no. of pieces L 3000 mm |
| tube | 1 | 1 | 1 |
| anchorage elements | 2 | 2 | 3 |
| flange cover | 2 | 2 | 3 |
| cap | 2 | 2 | 2 |
| flat-head screw with dowel | 4 | 4 | 6 |

| SQUARE | | |
|----------------------------|----------------------|----------------------|
| description | no. pieces L 2000 mm | no. pieces L 3000 mm |
| tube | 1 | 1 |
| anchorage elements | 2 | 3 |
| cap | 2 | 2 |
| flat-head screw with dowel | 4 | 6 |

| LUMEN | | |
|----------------------------|--------------------------------|-------------------------------|
| description | no. pc. L 2000 mm square model | no. pc. L 2000 mm round model |
| tube | 1 | 1 |
| anchorage elements | 2 | 2 |
| cap | 2 | 2 |
| flat-head screw with dowel | 4 | 4 |

| FABER | | |
|----------------------------|----------------------|----------------------|
| description | No. of pc. L 1000 mm | No. of pc. L 2000 mm |
| handrail with anchorages | 1 | 1 |
| flat-head screw with dowel | 6 | 6 |

Our components: to make it the way you want it

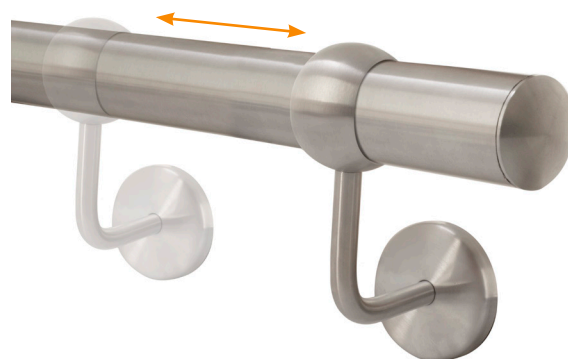
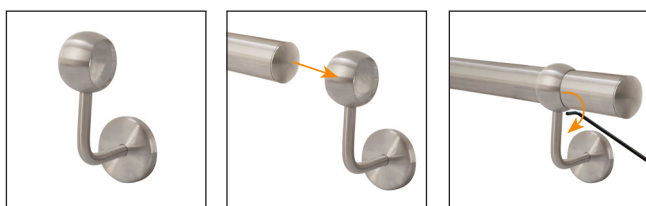
If the available kits do not meet your specific needs or you wish to create a different handrail, compose it as you wish by choosing the items you prefer from our large selection.



| Handrail | Fixed handrail bracket | Jointed handrail bracket | Terminal |
|--|--|--|--|
|  <p>E001/2000M AISI 304 satin Ø 42,4 x 2,0 mm x 2000 mm</p> <p>X4801/2000M AISI 316 polished Ø 42,4 x 2,0 mm x 2000 mm</p> |  <p>E0228M AISI 304 satin for handrail Ø 42,4 x 2,0 mm</p> |  <p>E02283M AISI 304 satin for handrail Ø 42,4 x 2,0 mm</p> |  <p>E316/304M AISI 304 satin for handrail Ø 42,4 x 2,0 mm</p> <p>X316M AISI 316 polished for handrail Ø 42,4 x 2,0 mm</p> |
|  <p>E02204040M AISI 304 satin 40 x 40 x 2,0 x 2000 mm</p> |  <p>E06300M AISI 304 satin for flat handrail</p> |  <p>E06500M AISI 304 satin for flat handrail</p> |  <p>E4146M AISI 316 satin for handrail Ø 42,4 x 2,0 mm</p>  <p>E4230/304M AISI 304 satin for handrail 40 x 40 x 2,0 mm</p> |



NO NEED TO DRILL THE HANDRAIL



Handrail bracket with interlocking plate, consisting of a disc with fins that fits perfectly into the flange cover for simple, fast and secure attachment.



LEARN MORE WITH QR CODE



ASSEMBLY VIDEO
HANDRAILS WITH
RING SUPPORT



ASSEMBLY VIDEO
HANDRAILS WITH
SADDLE SUPPORT



ASSEMBLY VIDEO
HANDRAILS WITH
INTEGRABLE LED



FENCES AND GATES

Fences and gates are indispensable elements for delineating boundaries while providing protection and access control in a variety of contexts, from residential to tertiary. Available in various models, to blend harmoniously with their surroundings, and rigorously tested in our laboratory, our solutions guarantee high performance not only in terms of security but also weather resistance, aesthetics, functionality and ease of installation.



MODULAR PANELS FOR FENCES

These panels, supplied pre-assembled to make installation quick and easy, are designed with a modular approach. They can therefore be connected together until the required fence size is achieved.

This great flexibility in installation, combined with the rigorous quality and resistance tests to which they are subjected, make these panels the ideal product for residential, commercial and industrial applications.



FOR
OUTDOOR



FAST



EASY TO
INSTALL



SAFE

Our models

Six different models, all available in unfinished or galvanised versions, to suit any architectural style. Choose the one that best suits your building.





ELEGANCE



LINEAR



CLASSIC



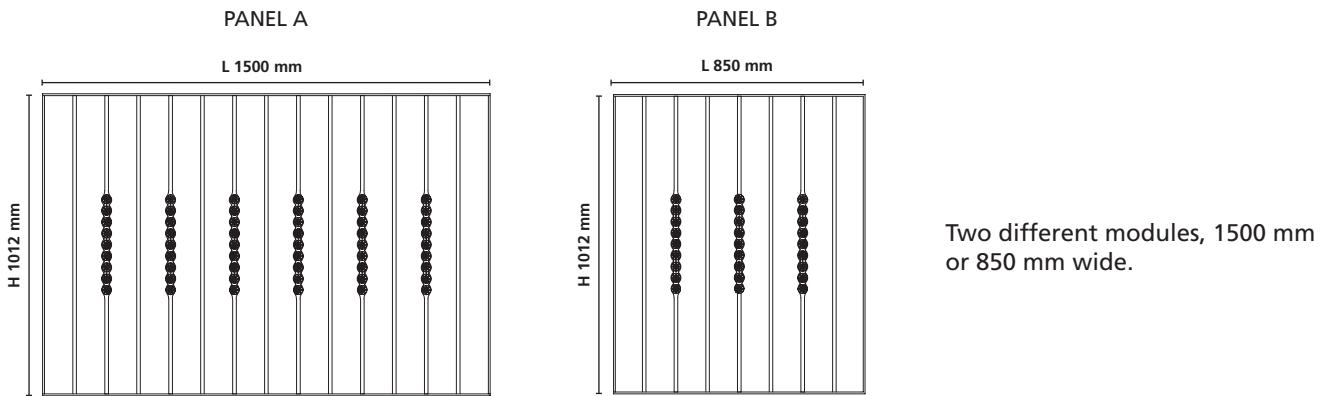
FORGE

Our modular panels: to make it the way you want it

The modularity of the panels offers a high degree of flexibility, allowing the fence to be adapted to the specific measurements and requirements of the space in which it is to be installed.

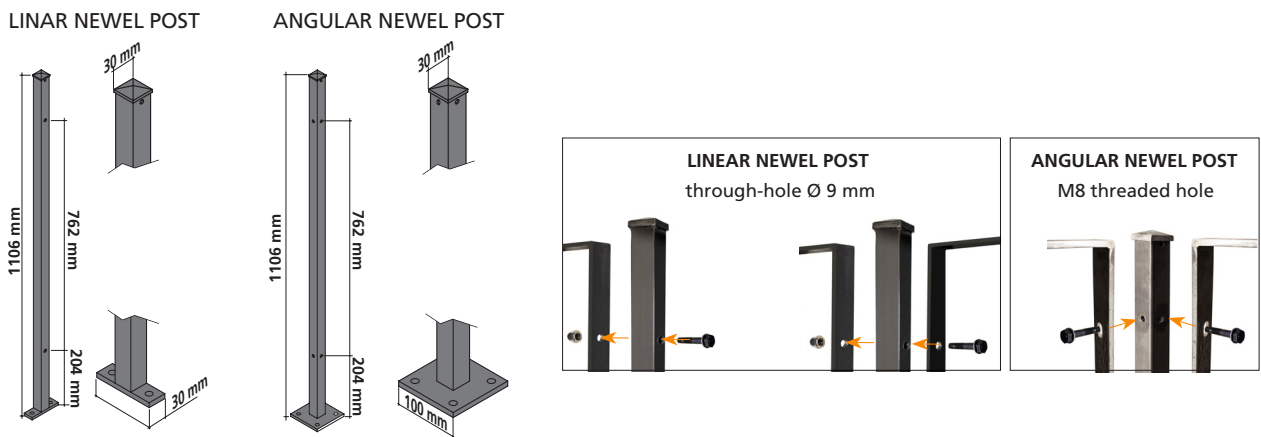
01

CHOOSE THE SIZE OF THE MODULAR PANEL



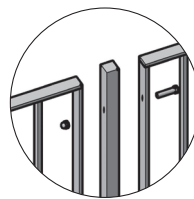
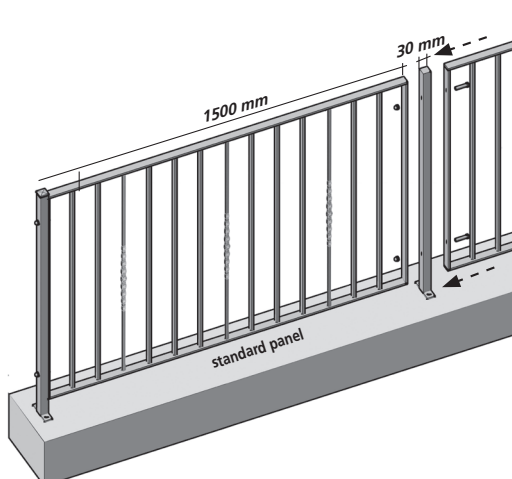
02

ADD NEWEL POSTS



03

CONTINUE ALTERNATING PANELS AND POSTS FOR THE LENGTH NECESSARY UNTIL THE COMPLETION OF YOUR FENCE

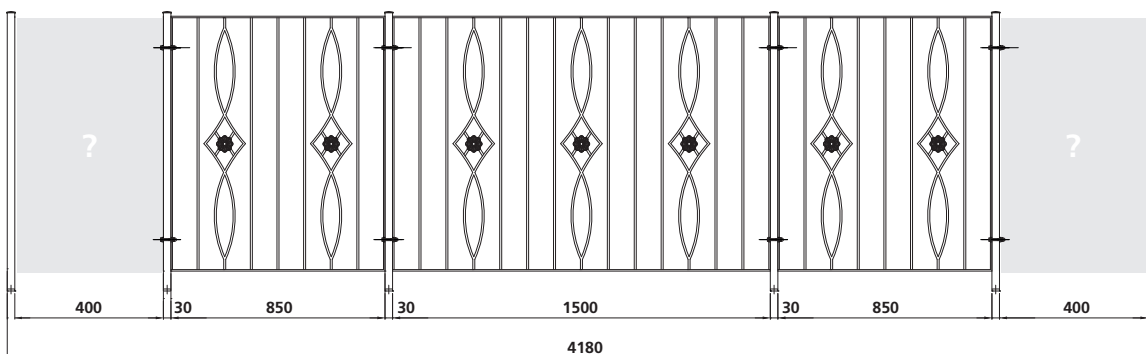


Combine panels A and B until you reach the desired length. If you are still missing a piece, see step 5.

Two different types of posts. The linear one to make the fence straight, the angular one to make it curved at the necessary points.

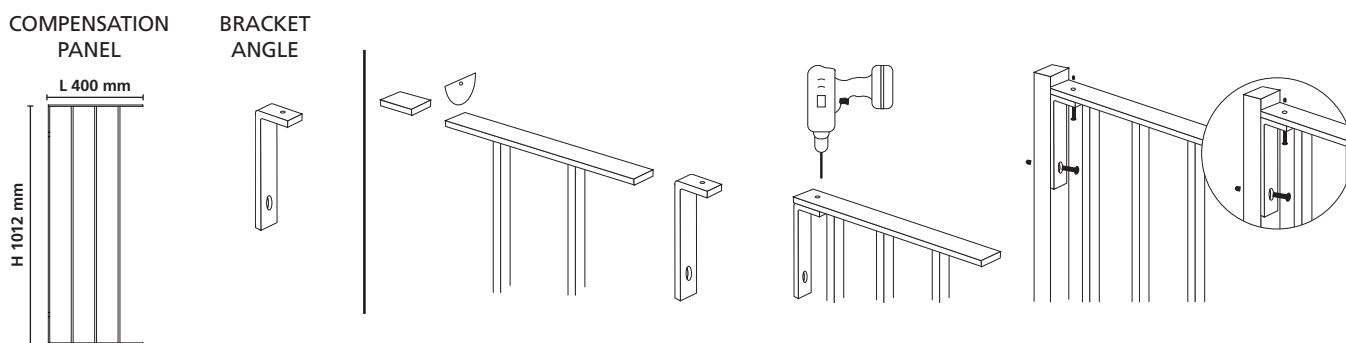
04

YOU WERE UNABLE TO COMPLETE THE FENCE USING A AND B FORMS?



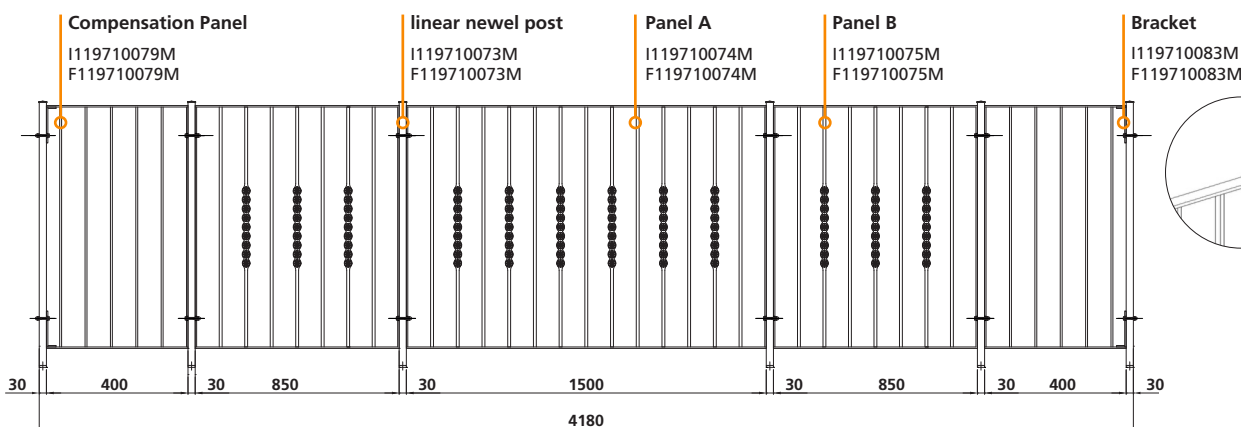
05

NO PROBLEM! USE THE COMPENSATION PANEL OR PANEL B BY CUTTING IT TO SIZE AND SECURING IT WITH THE ANGLE BRACKET



If a piece of fencing is still missing, use the compensation panel or panel B, cutting it to the required size, and complete it with the angle bracket to fix it to the newel post.

EXAMPLES OF CONFIGURATION



EXAMPLE OF MATERIAL USED FOR THE CONFIGURATION FOR A LENGTH OF 4.18 METRES

| ZINCATED | RAW | ARTICLE | DESCRIPTION | QUANTITY |
|-------------|-------------|--------------|--|----------|
| I119710073M | F119710073M | NEWEL POST | 30 x 30 mm newel post with floor anchor plate | N. 6 |
| I119710074M | F119710074M | PANEL A | Panel 1500 x 1012 mm with GD16/2 decor + plate 14 x 8 mm | N. 1 |
| I119710075M | F119710075M | PANEL B | 850 x 1012 mm panel with GD16/2 decor + 14 x 8 mm plate | N. 2 |
| I119710079M | F119710079M | COMPENSATION | Flat end panel 30 x 6 mm + vertical elements 14 x 8 mm (cut to size) | N. 2 |
| I119710083M | F119710083M | BRACKET | Angle bracket for locking panel | N. 4 |

All our products: choose the one you prefer

Compose your fence as you wish. You can also combine the various models according to your personal taste. The dimensions are always the same.

LIBERTY



| ZINCATED | RAW | ARTICLE | DESCRIPTION |
|-------------|-------------|--------------|---|
| I119710076M | F119710076M | PANEL A | Fence panel 1500 x 1012 mm, flat frame 30 x 6 mm with slotted holes and filling with 'liberty' panels and posts 14 x 8 mm |
| I119710072M | F119710072M | PANEL B | 850 x 1012 mm fence panel, flat frame 30 x 6 mm with slotted holes and filling with 'liberty' panels and posts 14 x 8 mm |
| I119710082M | F119710082M | COMPENSATION | Compensation panel 400 x 1012 mm, flat frame 30 x 6 mm with slotted holes and filling with posts 14 x 8 mm |
| I119710094M | F119710094M | NEWEL POST | Corner newel post H 1106 mm, with 2+2 perpendicular threaded holes M8 |
| I119710073M | F119710073M | NEWEL POST | Linear newel post H 1106 mm, with 2 through holes Ø 9 mm |
| I119710083M | F119710083M | BRACKET | Angle bracket for fixing compensation panel 40 x 150 mm, plate 30 x 6 mm |

DECÒ



| ZINCATED | RAW | ARTICLE | DESCRIPTION |
|-------------|-------------|--------------|---|
| I119710074M | F119710074M | PANEL A | Fence panel 1500 x 1012 mm, flat frame 30 x 6 mm with slotted holes and filling with moulded posts 12 x 12 mm |
| I119710075M | F119710075M | PANEL B | 850 x 1012 mm fence panel, flat frame 30 x 6 mm with slotted holes and filling with moulded posts 12 x 12 mm |
| I119710080M | F119710080M | COMPENSATION | Compensation panel 400 x 1012 mm, flat frame 30 x 6 mm with slotted holes and filling with 12 x 12 mm posts |
| I119710094M | F119710094M | NEWEL POST | Corner post H 1106 mm, with 2+2 perpendicular threaded holes M8 |
| I119710073M | F119710073M | NEWEL POST | Linear newel post H 1106 mm, with 2 through holes Ø 9 mm |
| I119710083M | F119710083M | BRACKET | Angle bracket for fixing compensation panel 40 x 150 mm, plate 30 x 6 mm |

ELEGANCE



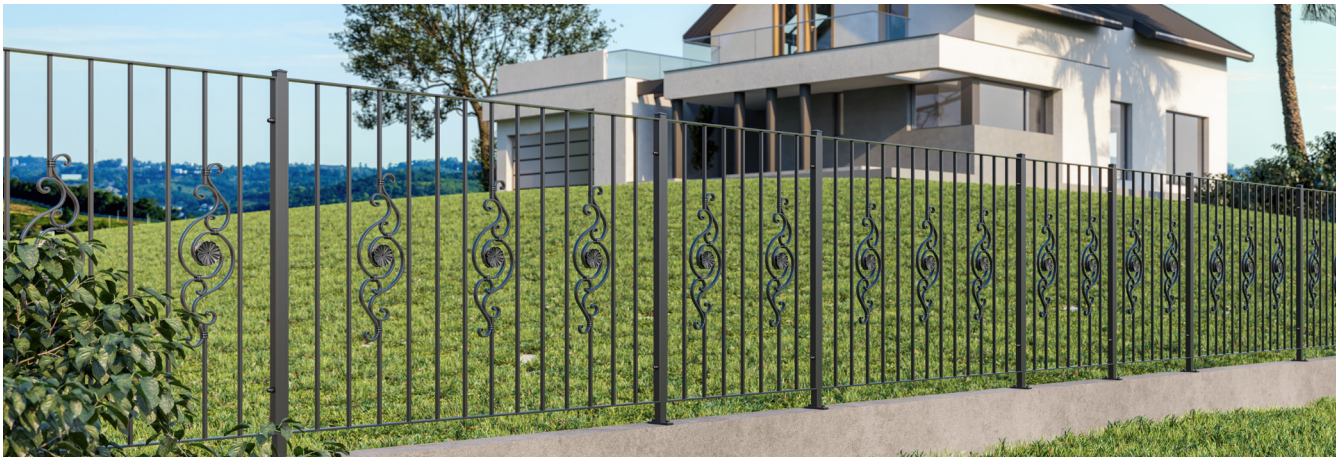
| ZINCATED | RAW | ARTICLE | DESCRIPTION |
|-------------|-------------|--------------|--|
| I119710108M | F119710108M | PANEL A | Fence panel 1500 x 1012 mm, flat frame 30 x 6 mm with slotted holes and filling with 12 mm round posts and sheet metal |
| I119710109M | F119710109M | PANEL B | 850 x 1012 mm fence panel, flat frame 30 x 6 mm with slotted holes and filling with 12 mm round posts and sheet metal |
| I119710117M | F119710117M | COMPENSATION | Compensation panel 400 x 1012 mm, flat frame 30 x 6 mm with slotted holes and filling with 12 mm round posts and sheet metal |
| I119710094M | F119710094M | NEWEL POST | Corner newel post H 1106 mm, with 2+2 perpendicular threaded holes M8 |
| I119710073M | F119710073M | NEWEL POST | Linear newel post H 1106 mm, with 2 through holes Ø 9 mm |
| I119710083M | F119710083M | BRACKET | Angle bracket for fixing compensation panel 40 x 150 mm, plate 30 x 6 mm |

LINEAR



| ZINCATED | RAW | ARTICLE | DESCRIPTION |
|-------------|-------------|--------------|---|
| I119710119M | F119710119M | PANEL A | Fence panel 1500 x 1012 mm, flat frame 30 x 6 mm with slotted holes and filling with posts 12 x 12 mm |
| I119710079M | F119710079M | PANEL B | 850 x 1012 mm fence panel, flat frame 30 x 6 mm with slotted holes and filling with posts 12 x 12 mm |
| I119710080M | F119710080M | COMPENSATION | Compensation panel 400 x 1012 mm, flat frame 30 x 6 mm with slotted holes and filling with posts 12 x 12 mm |
| I119710110M | F119710110M | PANEL A | Fence panel 1500 x 1012 mm, flat frame 30 x 6 mm with slotted holes and filling with posts 14 x 8 mm |
| I119710081M | F119710081M | PANEL B | 850 x 1012 mm fence panel, flat frame 30 x 6 mm with slotted holes and filling with posts 14 x 8 mm |
| I119710082M | F119710082M | COMPENSATION | Compensation panel 400 x 1012 mm, flat frame 30 x 6 mm with slotted holes and filling with posts 14 x 8 mm |
| I119710094M | F119710094M | NEWEL POST | Corner post H 1106 mm, with 2+2 perpendicular threaded holes M8 |
| I119710073M | F119710073M | NEWEL POST | Linear newel post H 1106 mm, with 2 through holes Ø 9 mm |
| I119710083M | F119710083M | BRACKET | Angle bracket for fixing compensation panel 40 x 150 mm, plate 30 x 6 mm |

CLASSIC



| ZINCATED | RAW | ARTICLE | DESCRIPTION |
|-------------|-------------|--------------|---|
| I119710116M | F119710116M | PANEL A | Fence panel 1500 x 1012 mm, flat frame 30 x 6 mm with slotted holes and filling with curly panels and posts 14 x 8 mm |
| I119710115M | F119710115M | PANEL B | 850 x 1012 mm fence panel, flat frame 30 x 6 mm with slotted holes and filling with curly panels and posts 14 x 8 mm |
| I119710082M | F119710082M | COMPENSATION | Compensation panel 400 x 1012 mm, flat frame 30 x 6 mm with slotted holes and filling with posts 14 x 8 mm |
| I119710094M | F119710094M | NEWEL POST | Corner post H 1106 mm, with 2+2 perpendicular threaded holes M8 |
| I119710073M | F119710073M | NEWEL POST | Linear newel post H 1106 mm, with 2 through holes Ø 9 mm |
| I119710083M | F119710083M | BRACKET | Angle bracket for fixing compensation panel 40 x 150 mm, plate 30 x 6 mm |

FORGE



| ZINCATED | RAW | ARTICLE | DESCRIPTION |
|-------------|-------------|--------------|---|
| I119710106M | F119710106M | PANEL A | Fence panel 1500 x 1012 mm, flat frame 30 x 6 mm with slotted holes and filling with forged 12 mm round posts |
| I119710107M | F119710107M | PANEL B | 850 x 1012 mm fence panel, flat frame 30 x 6 mm with slotted holes and filling with forged 12 mm round posts |
| I119710118M | F119710118M | COMPENSATION | Compensation panel 400 x 1012 mm, flat frame 30 x 6 mm with slotted holes and filling with forged 12 mm round posts |
| I119710094M | F119710094M | NEWEL POST | Corner post H 1106 mm, with 2+2 perpendicular threaded holes M8 |
| I119710073M | F119710073M | NEWEL POST | Linear newel post H 1106 mm, with 2 through holes Ø 9 mm |
| I119710083M | F119710083M | BRACKET | Angle bracket for fixing compensation panel 40 x 150 mm, plate 30 x 6 mm |

Portofino fence



Portofino fence

The fence, with its solid and well-defined structure, performs both practical and decorative functions. In particular, it delimits and defines spaces, for example by marking clear boundaries between gardens, paths, or other outdoor areas. It also helps maintain order and provides possible support to allow flowers and plants to grow in an orderly and decorative manner. This not only adds an aesthetic touch to the landscape, but can also contribute to privacy by creating a visual barrier between spaces.



FOR
OUTDOOR



FAST



EASY TO
INSTALL

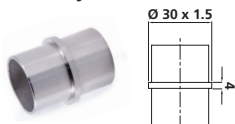


SAFE



OUR COMPONENTS: MAKING IT TO MEASURE.

Linear joint



Handrail joint.
 Ø 30 x 1.5 mm. Allows
 to join two handrail segments
 of handrail in a straight line.

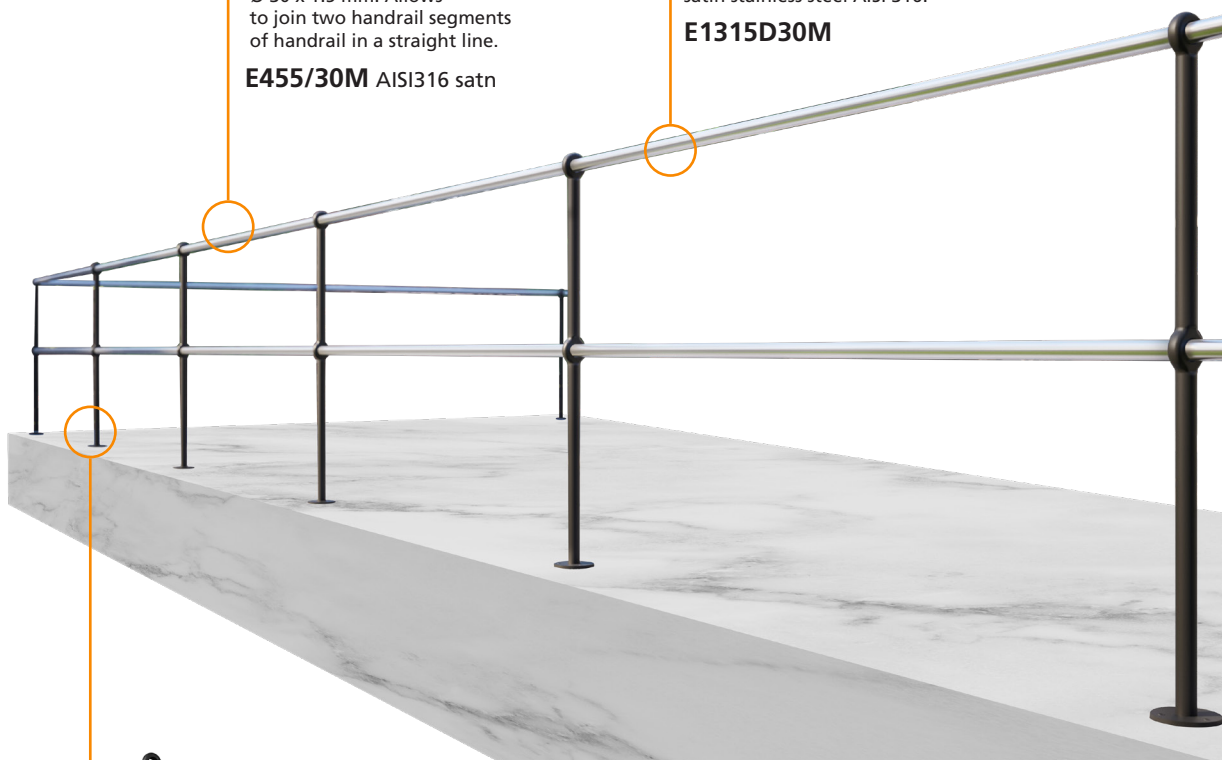
E455/30M AISI316 satin

Handrail



Tube Ø 30 x 1.5 mm in steel
 satin stainless steel AISI 316.

E1315D30M



Newel post

Newel post H 1000 mm in round
 30 mm with holes for 30 mm
 rebar, unfinished

200/30M

post H 1000 mm with holes for 30 mm rebar,
 cold-dip galvanised and painted (non-aggressive
 outdoor environment).

200/30/ZVMM



Terminal

AISI 316 satin-finished stainless steel
 pipe end piece Ø 30 x 1.5 mm

E41451/30M



Curve

Tube bend Ø 30 x 1.5 mm
 in satin-finished AISI 316 stainless steel

E028316/90/SM







metal expert



Gonzato Group Italy
Via Vicenza, 6/14
36034 Malo (Vicenza)
Italy

T +39 0445 580 580
F +39 0445 580 874

www.metal-expert.com